

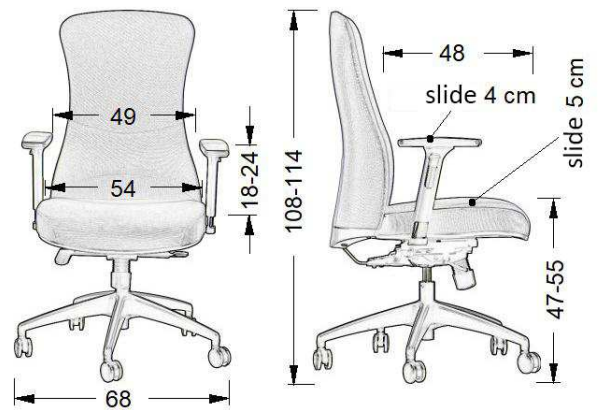
PRODUCT CARD

ARMCHAIR KENTON



BASIC FEATURES:

- synchronous mechanism with multi position tilt lock
- "anti-shock" function – the feature controls the backrest to avoid hitting a user's back
- **seat slide function**
- high density seat sponge: T45 (45 kg/m³)
- smooth seat height adjustment
- armrest with soft polyurethane pads
- 3D armrests adjustment (height, slide and angle)
- stable nylon base
- soft castors for hard floor
- PU upholstery



PRODUCT HAS STRENGTH TEST CERTIFICATION

